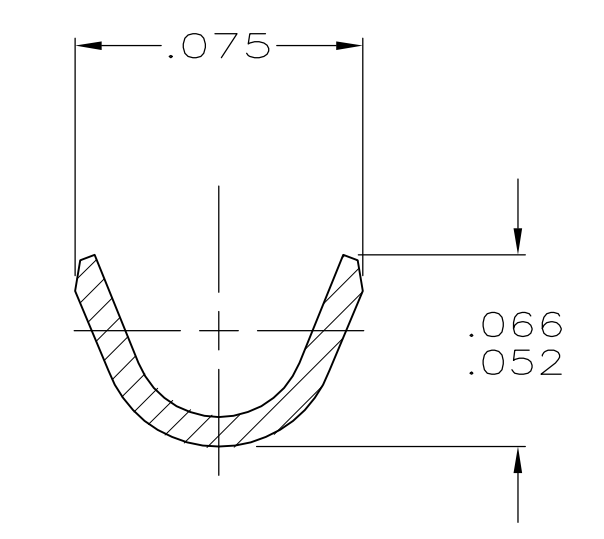
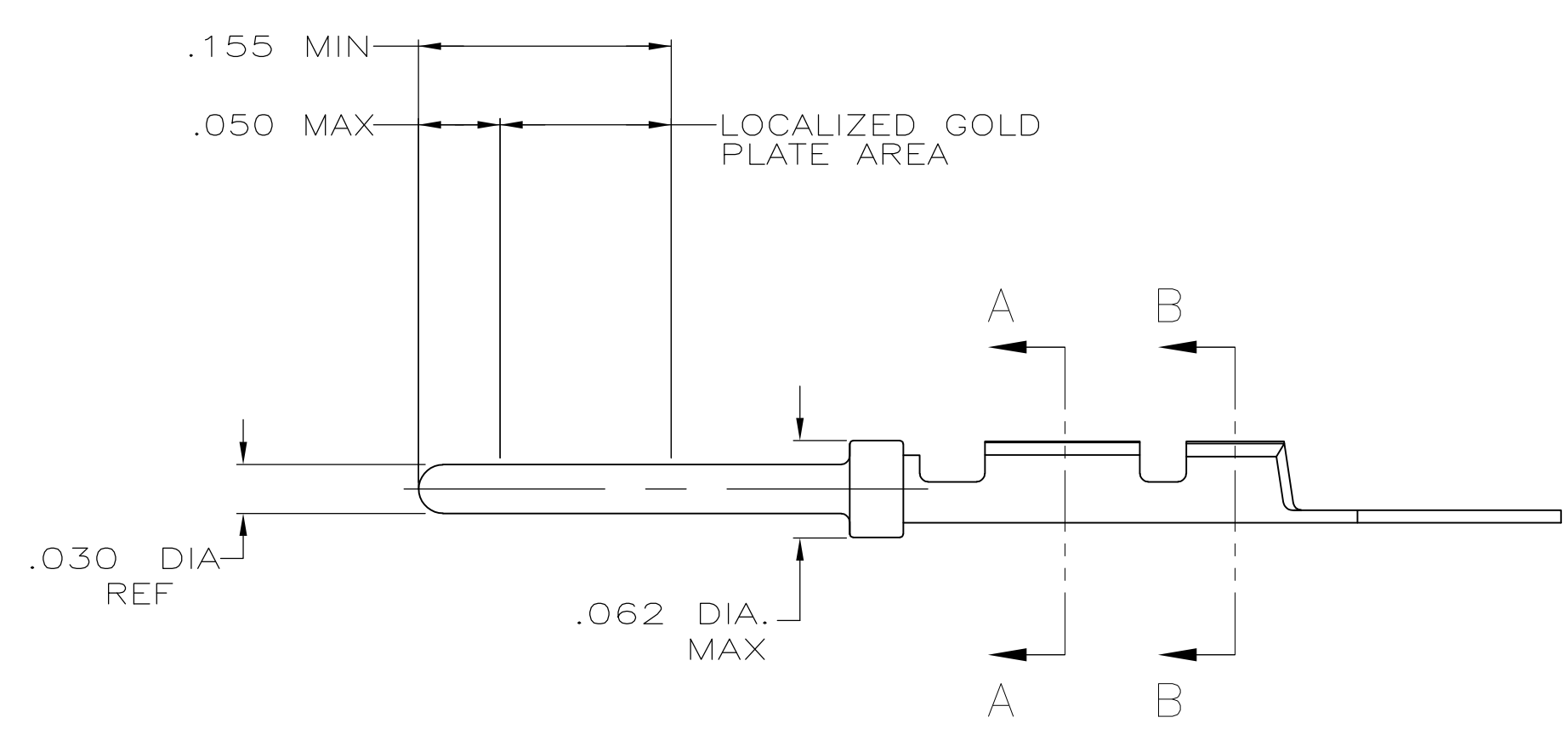


SECTION A-A  
SCALE 20:1



SECTION B-B  
SCALE 20:1



- WIRE RANGE OF 22-28 AWG, INSULATION RANGE OF .030-.040.
- .000050 MIN NICKEL UNDERPLATE OVER ENTIRE CONTACT, .000030 MIN GOLD IN LOCALIZED GOLD PLATE AREA, GOLD FLASH ON REMAINDER OF CONTACT.  
 OR  
 .000050 NIM NICKEL UNDERPLATE OVER ENTIRE CONTACT. GOLD FLASH OVER PALLADIUM-NICKEL, .000030 MIN TOTAL ON LOCALIZED GOLD PLATE AREA, GOLD FLASH ON REMAINDER OF CONTACT.

OBSOLETE	---	1-66556-4
OBSOLETE	---	1-66556-3
OBSOLETE	---	1-66556-2
OBSOLETE	---	1-66556-1
OBSOLETE	---	1-66556-0
OBSOLETE	---	66556-9
OBSOLETE	---	66556-8
OBSOLETE	---	66556-4
OBSOLETE		66556-3
OBSOLETE	---	66556-2
	FINISH	PART NUMBER

THIS DRAWING IS A CONTROLLED DOCUMENT.		DWN C. OBERMAN 04/21/95	Tyco Electronics Corporation Harrisburg, PA 17105-3608	
DIMENSIONS: INCHES		CHK R. STONE 4-25-95	NAME T. FIX 4-27-95	
TOLERANCES UNLESS OTHERWISE SPECIFIED:		PRODUCT SPEC 108-1268	PIN CONTACT, SIZE 22, AWG 28/22, AMPLIMITE DF	
0 PLC ± - 1 PLC ± - 2 PLC ± - 3 PLC ± .005 4 PLC ± - ANGLES ± 0° 30'		APPLICATION SPEC 114-10001	SIZE A1	CAGE CODE 00779
MATERIAL -		FINISH 	DRAWING NO 66556	RESTRICTED TO -
		WEIGHT -	SCALE 10:1	SHEET 1 OF 1
		CUSTOMER DRAWING	REV T	